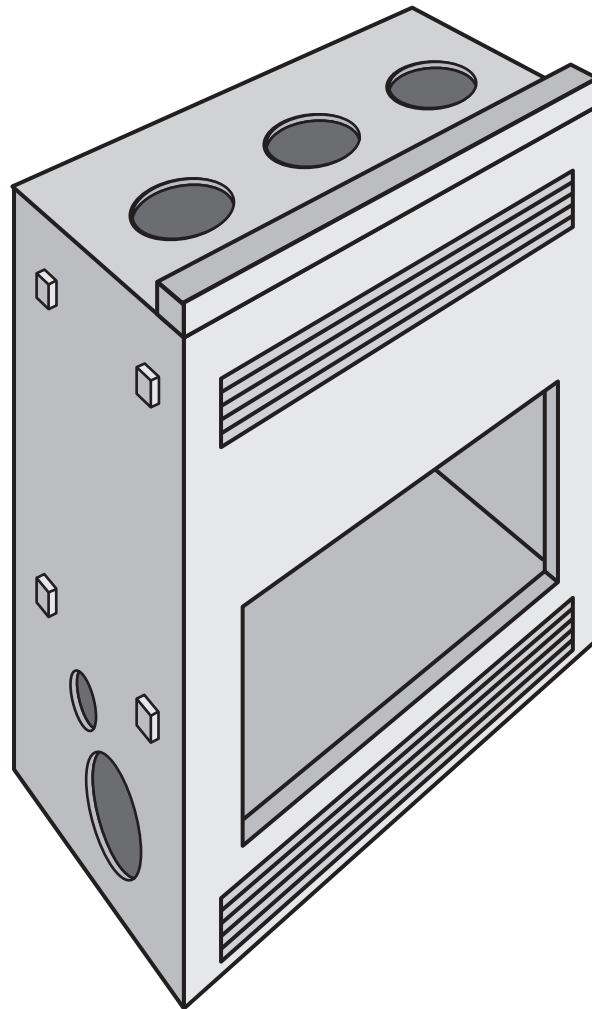


# The GranView

Clean Burning Zero Clearance Fireplace

## Installation and Operation Instructions



Keep these  
instructions for  
future use

**WILKENING**  
*—Fireplace—*



800-367-7976



wilkeningfireplace.com



9608 State 371 NW  
Walker, MN 56484

# Table of Contents

---

Before You Begin Installation .....	3
Clearances and Mantel Height Requirements.....	4
Locating Your Fireplace .....	5
Hearth Requirements.....	5
Chimney Height, Offset and Clearance Requirements.....	6
Combustion Air Requirements.....	7
Framing Specifications .....	8
Mobile Home Installation Requirements.....	8
Doors for the GranView .....	9
Heated Air Ducting Options.....	9
Clean Face Kit .....	10
Facing.....	10
Blower Installation and Electric Wiring Diagram .....	11
Unit Diagrams .....	12-15
Installing the Refractory Liner and Baffle .....	16
Installation Steps .....	17
Care and Maintenance .....	17
Generating Maximum Heat Output.....	19
Refueling Your Fireplace.....	19
Troubleshooting.....	20
Starting the Fire.....	20
Combustion Control .....	20
Negative Pressure in the Home.....	21
Important Notices .....	22



## IMPORTANT SAFETY INSTRUCTIONS

### Read this section before you begin installation of the GranView clean burning fireplace.

This manual will enable you to make your installation safe, efficient and dependable. **Read and understand these instructions completely before starting the installation.**

**Do not alter or modify any of the components. Do not obstruct the air circulation vents as over-heating will result.** Any alteration or modification of the fireplace system or components will void the warranty, listing and approvals which could result in an unsafe or potentially dangerous installation. **Use of this product in an altered installation or with altered components may result in fire, loss of property and loss of life.** Keep this manual for future reference.

#### – Read and follow these safety rules –

1. Before starting installation, read and understand this manual. Failure to follow instructions will result in an unsafe condition, malfunction, property damage or loss of life.
2. Check with your local building official regarding codes and permits. If local codes are more restrictive than this manual they must be followed.
3. This fireplace must be installed with a chimney system that is listed in the Chimney Section of this manual.
4. To ensure a safe, efficient fire, always check the fireplace prior to use for creosote build-up, excessive ash and soot. Clean the fireplace and chimney regularly.
5. Use solid wood or processed solid fuel fire logs only. Do not use chemical chimney cleaner, gas logs, gas starters or flame colorants. Do not use coal or charcoal in this fireplace unit.
6. Do not connect this appliance to a chimney flue that is serving another appliance.
7. **Never** use gasoline, gasoline type lantern fuel, kerosene, lighter fluid or any liquid to “freshen” the fire. Keep all such highly combustible liquids well away from the fire.
8. Never leave children unattended when there is a fire burning in the fireplace. It is recommended that each user of this appliance familiarize themselves with its operation prior to initial use.
9. Allow the fireplace to cool before performing any service to it. Always shut off any electrical supply prior to working on the system. This will eliminate the chance of electrical shock.
10. Wilkening Fireplace Co. is not responsible for any smoking issues due to inadequate draft or poor burning which results from lack of combustion air or chimney draw.
11. Wilkening Fireplace Co. does not warrant “smoke free” operation or are we responsible for inadequate draft caused by mechanical systems, construction conditions, inadequate chimney height, negative pressure or environmental conditions beyond our control.
12. Do not use any fireplace insert or other product in conjunction with this fireplace that is not specified by Wilkening Fireplace Co. for use with this fireplace.
13. Never, under any circumstances, install a fireplace or chimney component that is suspect of having been damaged in transit or handling. When in doubt, contact your dealer.



**WARNING:** This fireplace has not been tested for use with a gas log set, either vented or unvented. To reduce the risk of fire or injury, do not install a gas log set into this fireplace.

# Clearances, Dimensions and Specifications

---

The GranView clean burning fireplace is a wood burning, high efficiency, heat circulating fireplace system designed for minimum clearance to combustible framing material.

The illustrations shown in this manual reflect typical installations with minimum dimensions and are designed for framing reference only. Additional clearance to combustibles is permitted. The actual installation may vary due to individual design preferences. No matter what the design, **always** maintain the minimum clearances to combustible materials and follow these instructions.

This fireplace has been safety tested and is listed to UL 127-2011 standards by Intertek Testing. This unit may be installed in a mobile home. Install in accordance to the National Fire Protection Standard for chimneys, fireplaces and solid fuel burning appliances, NFPA 211, and in accordance with all state and local building codes. Failure to follow these instructions or adapt parts for use with this unit that are not intended will create a fire hazard and will void your warranty.

## Clearances and Height Requirements

---

The GranView may be placed directly on wood flooring – all carpet or vinyl must be removed. The outside air kit, fire stop spacer and roof flashings may be placed directly on or next to normal construction materials.

**The minimum recommended interior chase width is 55". The minimum chase depth is 24". The interior chase height must be a minimum of 72" from the fireplace base for any front louver heat vented application and 80" from the unit base for any top vent heat outlet installation.**

The chimney requires a minimum 2" clearance to combustibles (consult the chimney mfg. instructions).

A combustible mantle, 8" deep, must be a minimum of 53 ½" above the base that the fireplace is placed on when the front heat outlet louver is used for heated air circulation. A 51 ½" mantle height may be used when heated air exits through the dual top vent kit. **Non-combustible mantles may be placed at any height.**

If you have any questions regarding this product or installation, call your dealer or Wilkening Fireplace Co. at 800-367-7976.



**WARNING:** Do not pack or fill the required air spaces with insulation or other material. No material of any kind is allowed inside the chase area. To insulate the chase, do so between the stud walls behind the sheet rock.

---



**NOTICE:**

1. For exterior installations it is recommended that you insulate at least the base, sidewalls and the first floor ceiling of the chase to prevent heat loss.
  2. Local codes may require a one hour fire rating on one or all sides of the fire chase. Check with local code authorities prior to construction.
-

# Selecting the Location of Your Fireplace

---

To determine the best location for your fireplace, take into consideration the location of windows, doors, adjacent side walls and the general traffic flow pattern of the room, allowing space in front of the fireplace for a hearth extension and mantle. Hot air ducts, heat circulation ability of the unit and ducting ability for combustion air must also be considered when selecting the location. If possible, you should select a location that does not require cutting floor joists or rafters.

In most cases no additional floor support is needed for the fireplace and facing system weight. Consult your local building code requirements or a structural engineer to determine if additional support is needed.

If possible, install the fireplace and chimney on the interior of the structure as it will provide better draft performance. In areas that experience below 0° Fahrenheit temperatures, the use of an exterior chimney increases the possibility of poor draft, increased creosote formation and slow starting of the fire. Installations which are located low in the house such as the basement, in combination with an outside chimney, are especially prone to flow reversal on start up.

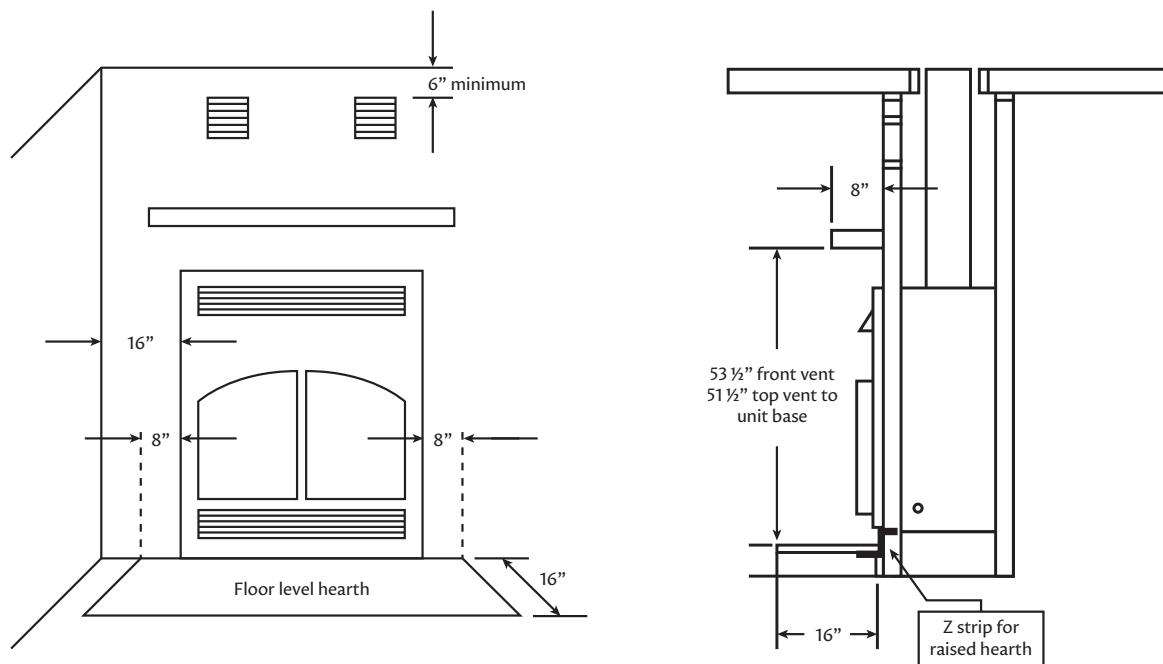
## Hearth Extension Requirements

---

The GranView can be installed on a raised hearth provided there is a minimum of 72" measured between the fireplace base and finished ceiling for front louver heat venting or 80" if using dual or single top vent ducting of heated air. Raised hearths must extend 16" in front of and 8" to each side of the fireplace opening. Floor level hearths may have a minimum of a 16" noncombustible protrusion, but 20" is recommended for extra spark protection along with the 8" side protection. Installations using the single door option should have noncombustible materials extend out past the foremost swing of the door whether it is a combination of raised and floor level material or not. This will contain any hot embers that may ride on the inner channel of the door assembly as it opens.

**Cover all combustibles under the hearth area 16" in front of and 2 ½" to each side of the fireplace with the 48" x 16" Micore provided. This provides thermal protection for the combustibles.** Any area outside of this space can have the hearth materials in direct contact with combustibles.

A spark guard (2-L shaped metal strips) are provided to create spark protection where the hearth framing meets the fireplace front. These pieces are 2 ½" x 1 ½" x 48" and are designed to create a barrier for sparks that may penetrate the hearth to the framing below. The spark guard must be placed 2 ½" under the fireplace base and extend 2 ½" forward under the hearth stone. When installing this 2 piece guard, place the first section on top of the protruding hearth. Next, slide the second section under the fireplace, overlapping the vertical return of the lower section. If this unit is installed on a non-combustible base with no combustibles below the hearth, no spark guard is needed. **The room air inlet vent at the base of the fireplace must not be obstructed by any hearth material abutting the unit.**



## Chimney Requirements

The GranView requires an 8" diameter chimney. Any factory built chimney listed to UL-103HT may be used. The use of one brand of chimney is required. Do not mix components from several manufacturers as this may cause a fire hazard. Follow the chimney manufacturers' specifications for installation procedures and components necessary to create a code complying installation.



**NOTE:** An anchor plate for the chimney brand selected must be used to adapt the chimney to the unit. Secure the anchor plate using 4 self tapping metal screws and seal it to the fireplace using 600 degree RTV silicone. See the diagram on page 13.

A firestop and/or a radiation shield is required at each location where the chimney penetrates combustible materials except at the roof level where a flashing or chase top is employed. Install and seal a storm collar to the section of chimney penetrating the flashing to prevent moisture from entering the chimney structure.

The roof penetration must meet the minimum clearance to the chimney just as any other combustible must. Use a roof support to secure the chimney as it passes through the upper roofing system.

A chimney cap is required on all installations to validate the warranty. Do not connect this fireplace to a chimney that serves another appliance.

## Chimney Height, Offset and Clearance Requirements

The total height of chimney used on this installation must be a minimum of 15' from the base of the unit to the cap with a maximum of 36'. The maximum chimney height that is supported by the unit is 12'. Roof supports or other listed supports must be used for additional height. The chimney must extend at least 2' higher than any roof or wall that is within 10' of it

or a minimum of 3' above a chase top or flat roof. If the chimney is exposed more than 6' above the roof, a roof brace must be used to secure it in place. Read the chimney manufacturer's instructions for complete details and specifications.

The maximum offset that can be used with this appliance is 30 degree. Use no more than two sets of 30 degree elbows for the installation. To ease cleaning, elbows should have at least one pipe section between them. Support the elbows as required by the chimney manufacturer.

The chimney must be enclosed when it is installed in or passing through a living area where combustible material or people may come in contact with it. This is important to prevent personal injury or a fire hazard. Consult the chimney manufacturers instructions for details and clearances.

All framing material, supports and insulation must maintain a 2" minimum clearance to any portion of the chimney. This area must not be filled with **any** material. Failure to maintain the 2" minimum clearance will result in a fire hazard. Follow the chimney manufacturer's installation instructions and clearance recommendations. Typical minimum framing for 8" 2100 degree HT chimney is 14 ½" x 14 ½". **Consult the manual for the chimney brand selected to verify all dimensions.**

When a chimney chase is to have multiple flues in it, it is recommended that their terminations be at least 16" horizontally apart and 12" vertically apart. This is done to reduce the chance of smoke migrating from one chimney to the other.

## The Chase Enclosure

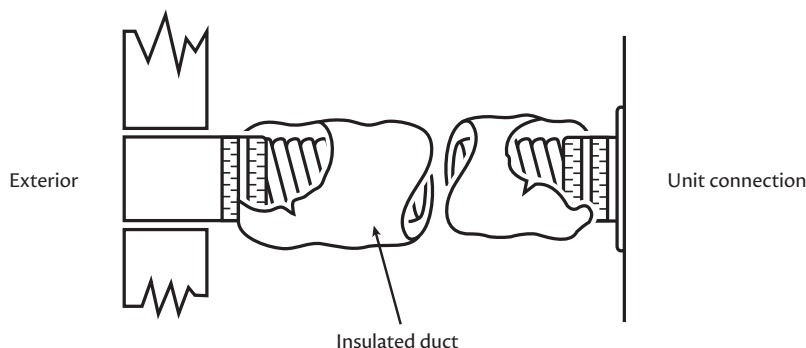
---

The chase is a framed structure created to encase the fireplace and chimney system. A chase should be constructed just like any other wall. Exterior chase construction must be insulated on the sides, back, ceiling and below the base that the fireplace sits on. The R value of the chase should be the same as the rest of the walls of the structure. Any insulated chase walls must be covered with sheetrock or sheeting to contain the insulation.

## Combustion Air Requirements

---

The GranView fireplace is designed to use outside air to supply each and every combustion air port inside of the fireplace. This creates a sealed system for air supply, eliminating fireplace odor due to negative pressure in the home. The supply air hook up is located on the lower left of the fireplace as you face it. A minimum 4" diameter supply pipe is required for combustion air ducting. If ducting more than ten feet for combustion air, use a 6" pipe and reduce it to 4" at the unit connection. Do not duct over 25' for combustion air, or have more than three 90 degree bends in the supply pipe. **Do not terminate the air supply duct in an attic or garage.** An insulated class 1 duct must be used to reduce the effect of cold transfer. To duct 5' or less use the standard air kit provided with the fireplace. The standard kit includes a screened exterior vent termination. Use this termination on the exterior of your structure. Install this duct with an "S" trap to minimize air flow when the unit is not operating.



# Enclosure Framing

---

The framing of the fireplace enclosure must not infringe on the area above the fireplace unit to ceiling level. The only combustible material permitted in this space is a header at the front supporting the face above the opening, and this must not be closer than the metal stand-off.

Framing materials must be at least 1 ½ x 3 ½” covered with sheeting. **The minimum finished frame opening is 45 ½” wide, 51” tall and 24” deep.** The frame opening for a top vent kit is 12” wide x 18 ¼” tall each. Normally, framing will be set back to allow sheeting to be flush with the front of the fireplace. No framing material may be located above the unit, except where it contacts the top front unit stand-off. See 13 page for diagrams.



**NOTE:** If the finished frame opening is created before the fireplace is in place the unit will not fit due to the combustion air connection. The recommended minimum interior chase size is 55” wide. This will ease the hook up of the combustion air.

---

If a raised hearth installation is planned, an elevated platform must be created for the unit to set on and the hearth material to be installed on. Use the Micore board provided to protect a raised combustible hearth structure or combustibles located below the finished hearth for floor level installations.

Any part of the frame structure that extends to the outside of the home must be insulated to reduce heat loss.



**NOTICE:** Under no circumstances can the fireplace be installed without the clearance spacers in place or with modified clearance spacers. Do not notch the header or framing to be installed closer than the fireplace spacers allow.

---

# Side Wall and Mantle Leg/ Side Trim

---

This appliance must maintain a minimum of a 16” side clearance, measured from the unit to a wall projection. A 6” deep, maximum, combustible mantle leg or side trim may be placed 8” from the unit edge. See diagrams on page 13.

# Mobile Home Installation

---

This fireplace may be installed in a mobile home. For use in a mobile home the following additional instructions must be followed to insure a safe installation.

1. **WARNING:** Do not install this unit in a sleeping room.
2. **CAUTION:** The structural integrity of the mobile home floor, wall and ceiling/roof must be maintained.
3. The unit must be permanently secured to the floor of the mobile home. Bolt the unit in place through the two metal clips attached to each side of the unit and tighten securely.



4. Use only the outside air kit that comes standard with the unit. This kit includes one 5' length of 4" insulated, flex air pipe, two 4" clamps and one 4" screened outside air vent.
5. The fireplace must be electrically grounded to the frame of the mobile home. Consult and use the National Electric Code for wiring installation.
6. The chimney shall extend at least 3 feet above the part of the roof through which it passes. The top of the chimney is to be at least 2 feet above the highest required elevation of any part of the mobile home located with 10' of the chimney.
7. The ceiling/roof thimble assembly shall extend completely through the ceiling/roof cavity of the mobile home to the outermost plane of the roof.

## Doors for the GranView

---

Each fireplace requires a door provided by Wilkening Fireplace Co. to complete the listed unit. To install the door, a heat resistant gasket and mounting screws are provided in the door carton. Remove the paper backing from the heat resistant gasket, exposing the adhesive backing. Apply this gasket on the unit face on the outside edge of the predrilled holes surrounding the fireplace opening. Use the 8 screws provided in the door carton to attach the metal frame to the unit face. Do not operate this unit without doors. Do not use any other door with this unit. If your door wears and needs replacement over time, contact your dealer or Wilkening Fireplace Co. for the appropriate replacement.

## Heated Air Ducting Options

---

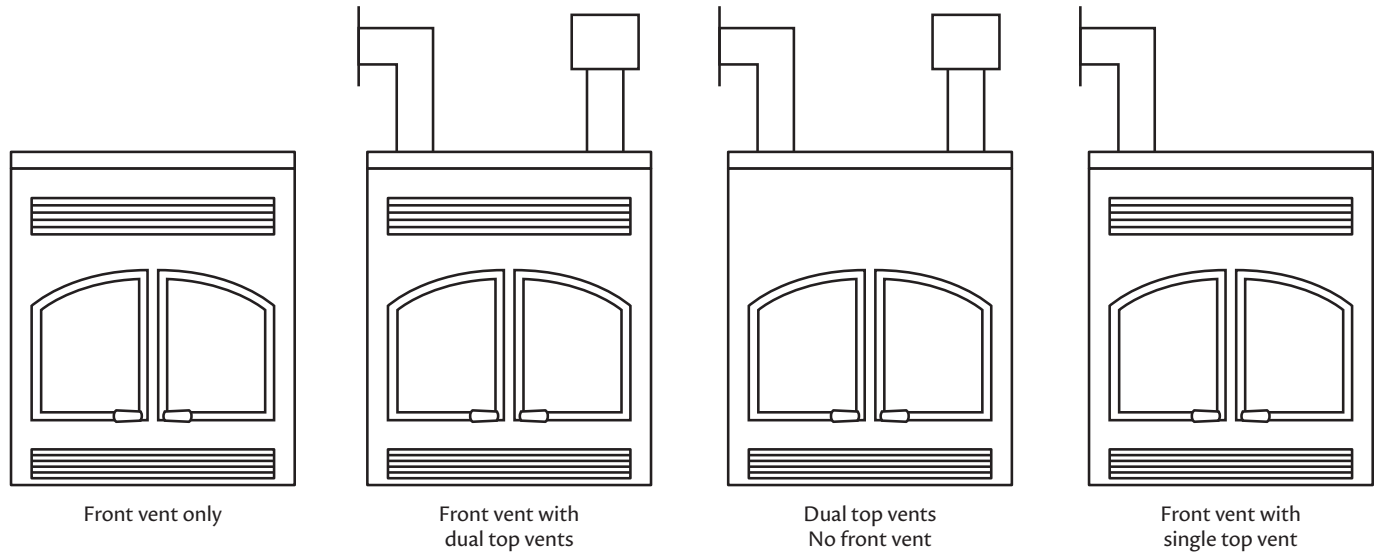
The GranView comes standard with a heat outlet at the top of the unit and a room air inlet at the base. Several louver designs are available to finish these openings. This fireplace may also have a separate vent or vents, ducted from the pre-cut holes in the top of the unit, to areas, next to or behind the installation and may be used in conjunction with or without the vent out the front.

When venting heated air out of the unit front heat outlet vent, a single top vent may be used. If you desire the front vent to be sealed, dual top vents must be used.

To vent heat from the top of the unit to side or rear chase locations, the top vent kit manufactured by Wilkening Fireplace Co. must be used. The top vent kit includes two 8" diameter starter rings which attaches the flexible insulated vent to the unit, two grill enclosures with stand-offs and two grill covers for the enclosures and a section of 8" insulated flexible aluminum duct. The insulated aluminum duct provided by Wilkening Fireplace Co. must be used for all top vent applications. A minimum clearance of 6" must remain between the top of the top vent assembly and the finished ceiling. The bottom of the top vent must be a minimum of 6" above a combustible mantle and at least 6" above the unit top. Never allow the vent to create a heat trap. Fins on the grill may point up or down.

The dual vents may be run to separate rooms on the side or back of the chase enclosure creating heat outlet in up to three areas when the front vent is used. Allow adequate return air from remote areas to the room with the fireplace to assure proper air circulation. Closeable top vents cannot be used.

**An auxiliary heat distribution kit** can be attached to the 4" outlet on the back right side of the fireplace. This kit includes a 4"-6" adapter, 12' of 6" class A insulated duct, an inline 150 CFM fan, a grille housing to mount into the framing and a grille. It can be routed up to 12' in any direction up, down or to the sides of the fireplace. The inline fan is mounted directly behind the grille housing and can be wired to a variable speed control or on/off switch by your electrician. **Do not** install the grille into a floor as combustibles may fall through this and cause a fire hazard.



## Clean Face Option (See diagram on page 14)

The clean face option allows the elimination of the air inlet louver that is located directly below the doors in the unit face. Dual 8" flexible ducts are connected to the front side of the fireplace in the pre cut holes. The flexible duct may run up to 6' down or to the side of the fireplace. This duct should never run upward. Use part #CFK, which includes all the parts necessary for this installation. This duct may be run down to the ceiling of a lower area to enhance circulation of air within the home. When creating a clean face installation, the dual top vent (part #TVK) must also be ordered to complete the installation. The minimum interior chase framing should be 66" wide if the flexible ducting is routed within the chase. A blower is available to boost air circulation with the clean face option. It is a variable speed, 210 CFM, 8" round, inline blower. This blower should be located directly behind the inlet vent housing and attached to the flexible plastic duct. Make sure this blower is accessible for service in your installation.

## Facing

Combustible material may be installed flush to the exterior sides of the fireplace face leaving a 3/8" gap. It may not project in front of or over the steel fireplace face. A 4" piece of Micore, which is provided, must cover the area directly above the top of the unit to the header.

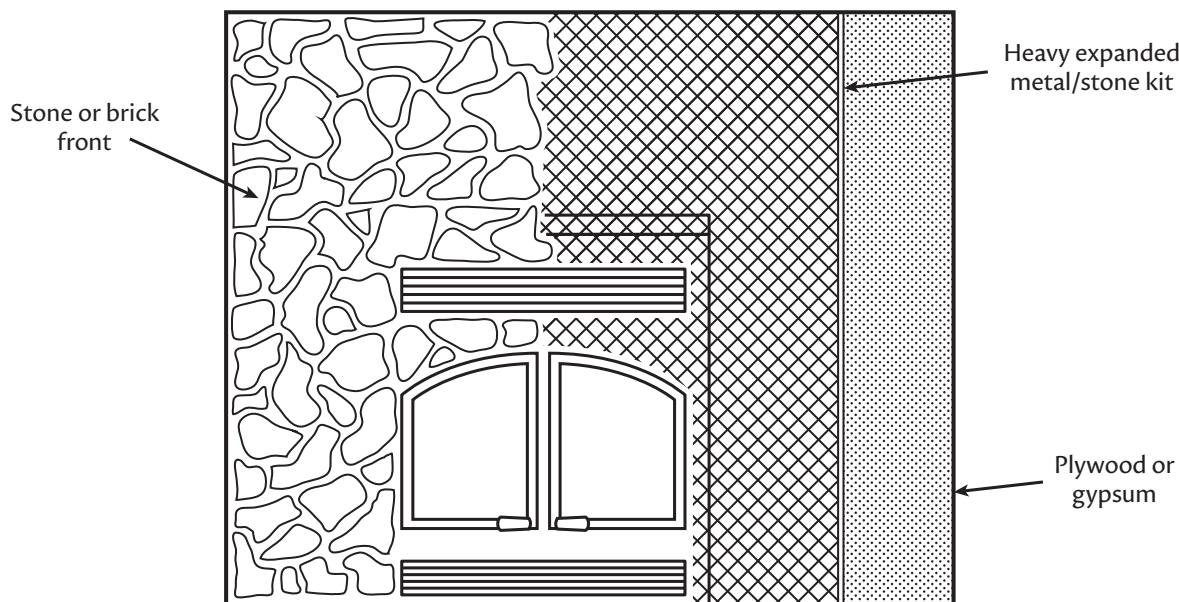
Non-combustible materials may be placed across the face of the fireplace such as brick, stone or tile. Facing kits are available from your dealer to attach manufactured stone or brick to the face of the fireplace. See your dealer for the appropriate one.

To use a manufactured facing product, attach one of the facing kits to the framing structure surrounding the fireplace. Do not securely attach this to the fireplace face as cracking of the mortar may occur due to thermal expansion of the steel during operation. Self-tapping metal screws may be used to attach the facing kit in several areas of the steel front taking care not to tighten the screws.



**NOTE:** A tight seal must be created between the metal fireplace face and the facing material to prevent heat from flowing between them. This seal is typically created by the scratch coat of mortar that is applied over the facing kit which allows the facing material to bond to it.

When installing sheet rock to the sides of the unit face, leave a 3/8" space between the sheet rock and the metal unit sides. Caulk the seams surrounding the fireplace face with a 500 degree RTV silicone or similar material. Failure to leave this expansion space may cause the sheet rock to crack when the unit expands while heating. Failure to caulk the facing perimeter may allow heat to flow into the chase area.

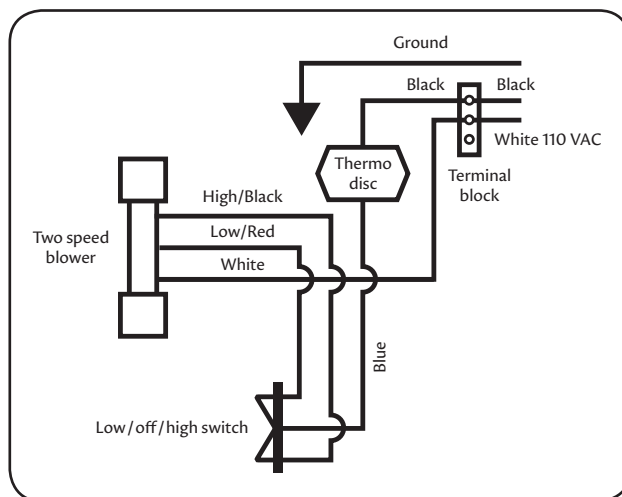


## Optional Blower Assembly

An onboard blower is available to boost the performance of the heat circulation system when using the lower louver for air inlet. This blower is a two speed, twin squirrel cage fan. The blower is mounted to the base of the fireplace, at center, 4" behind the lower grill using the wing nuts provided in the blower kit. The blower assembly has two predrilled holes in the plate that slide over the threaded studs located on the lower heat shield. To access this area simply remove the lower grill. This will allow free access to the area below the fireplace. The wiring diagram depicts the manner in which the wires are to be connected.

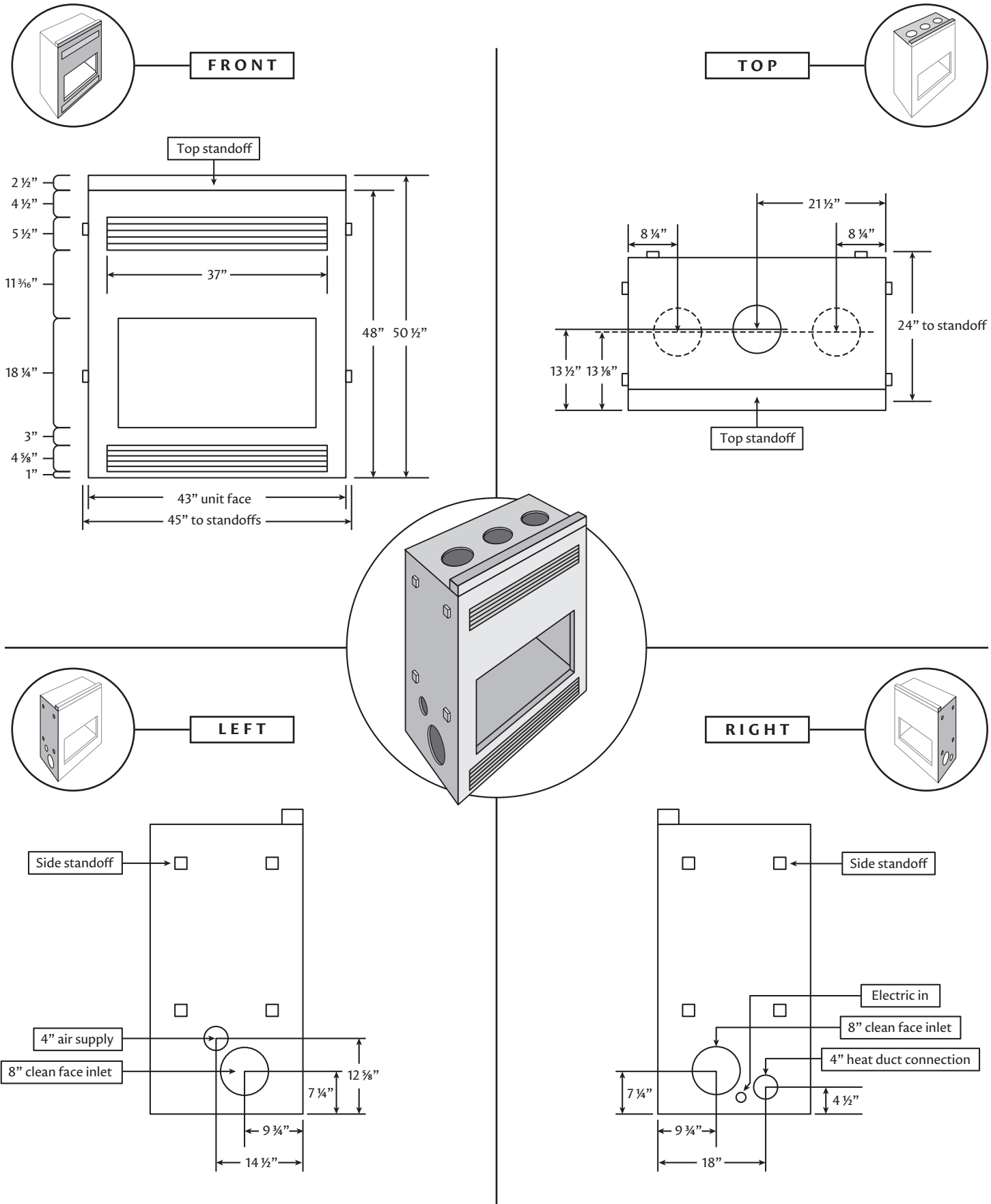
### Wire nut all connections.

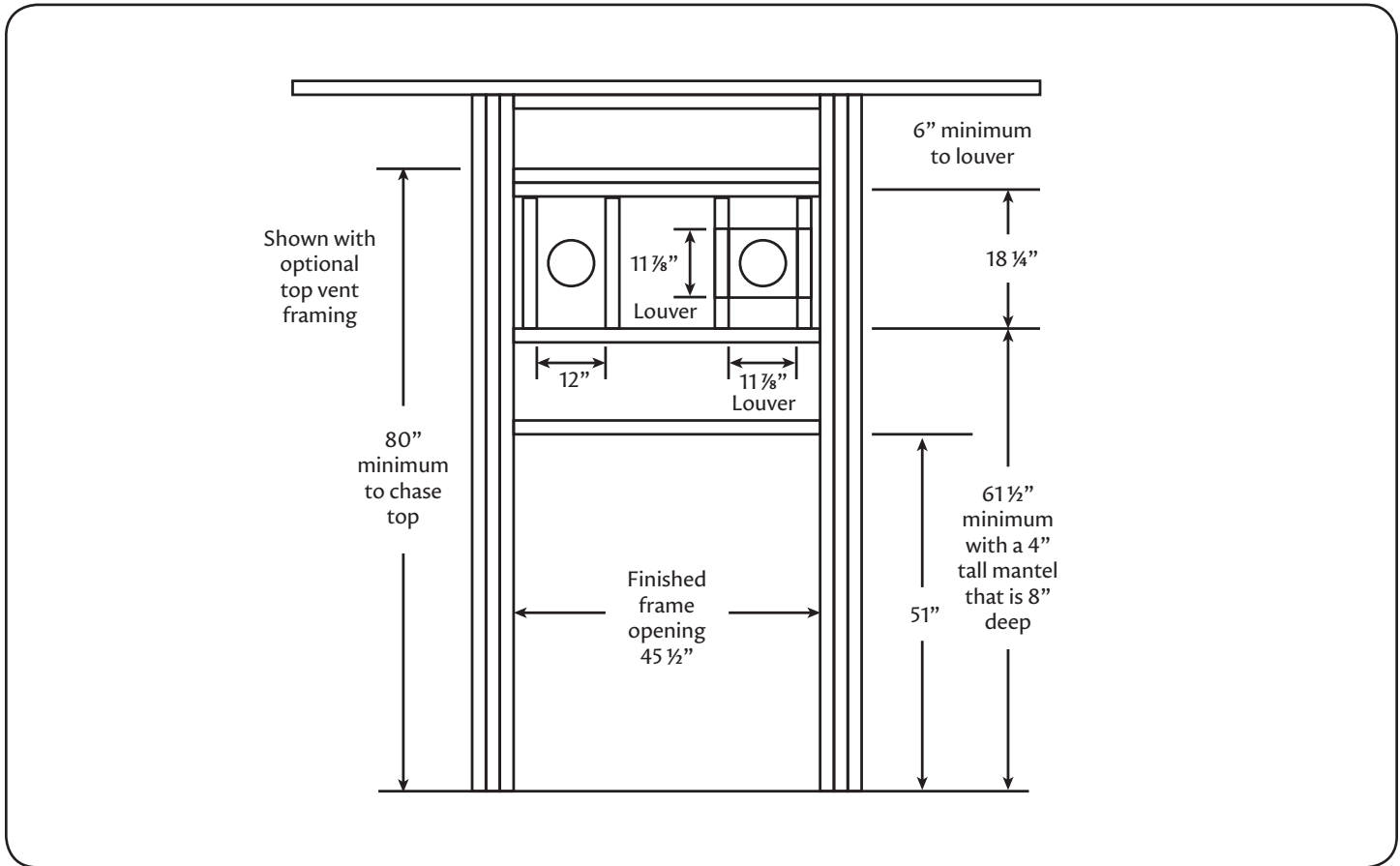
The heat sensor should be attached to the base of the fireplace by sliding it into the slotted bracket located on the far right bottom of the fireplace front. Make sure that no wire contacts the steel surface of the unit as melting of the insulation could occur. The fireplace must be grounded through the metal electrical box located on the right side behind the lower louver. This will eliminate the risk of electrical shock.



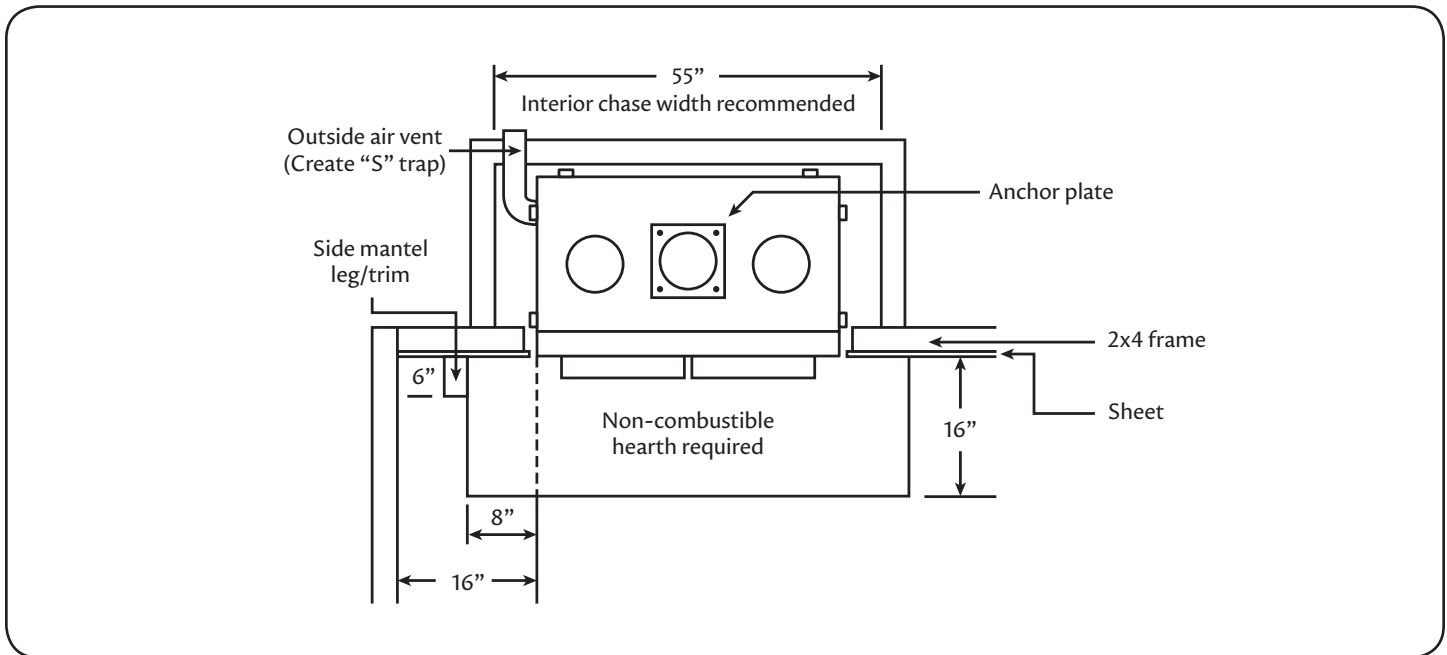
*Internal fan for unit*

# Unit Specifications

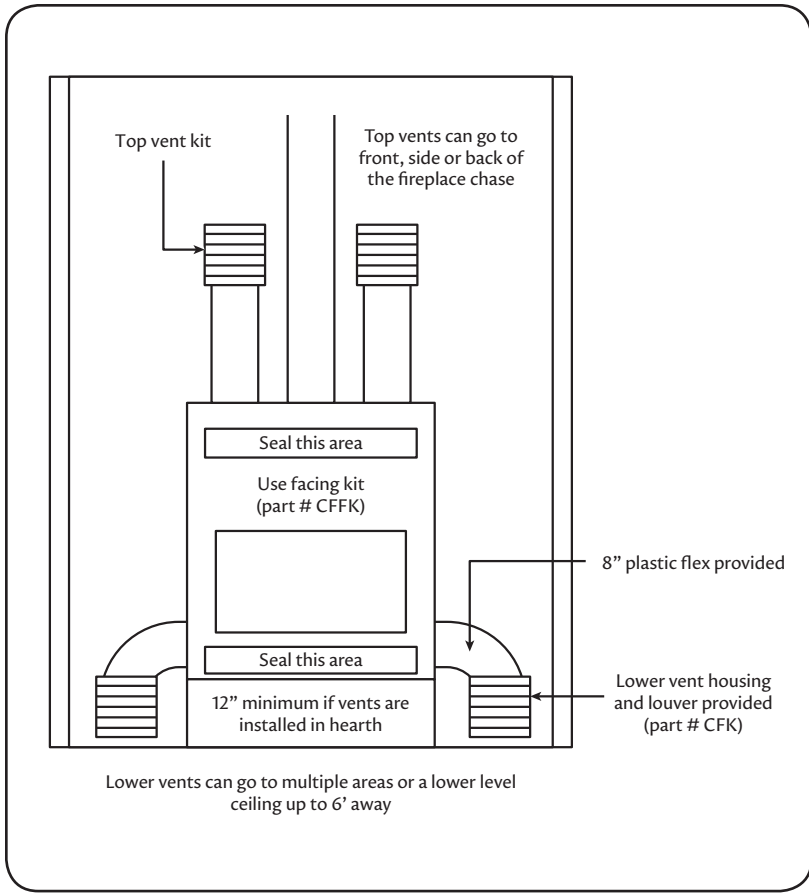




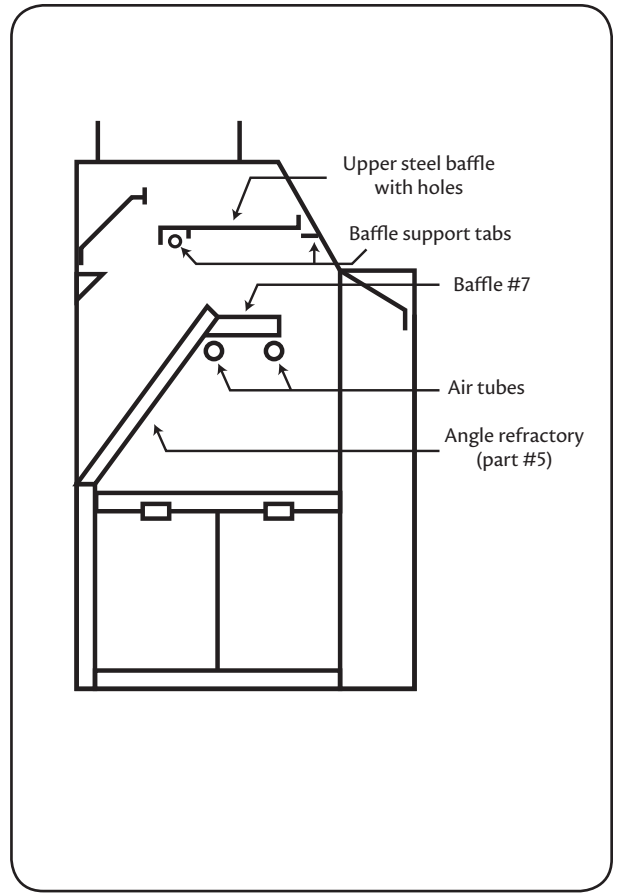
Front framing showing optional top vent requirement



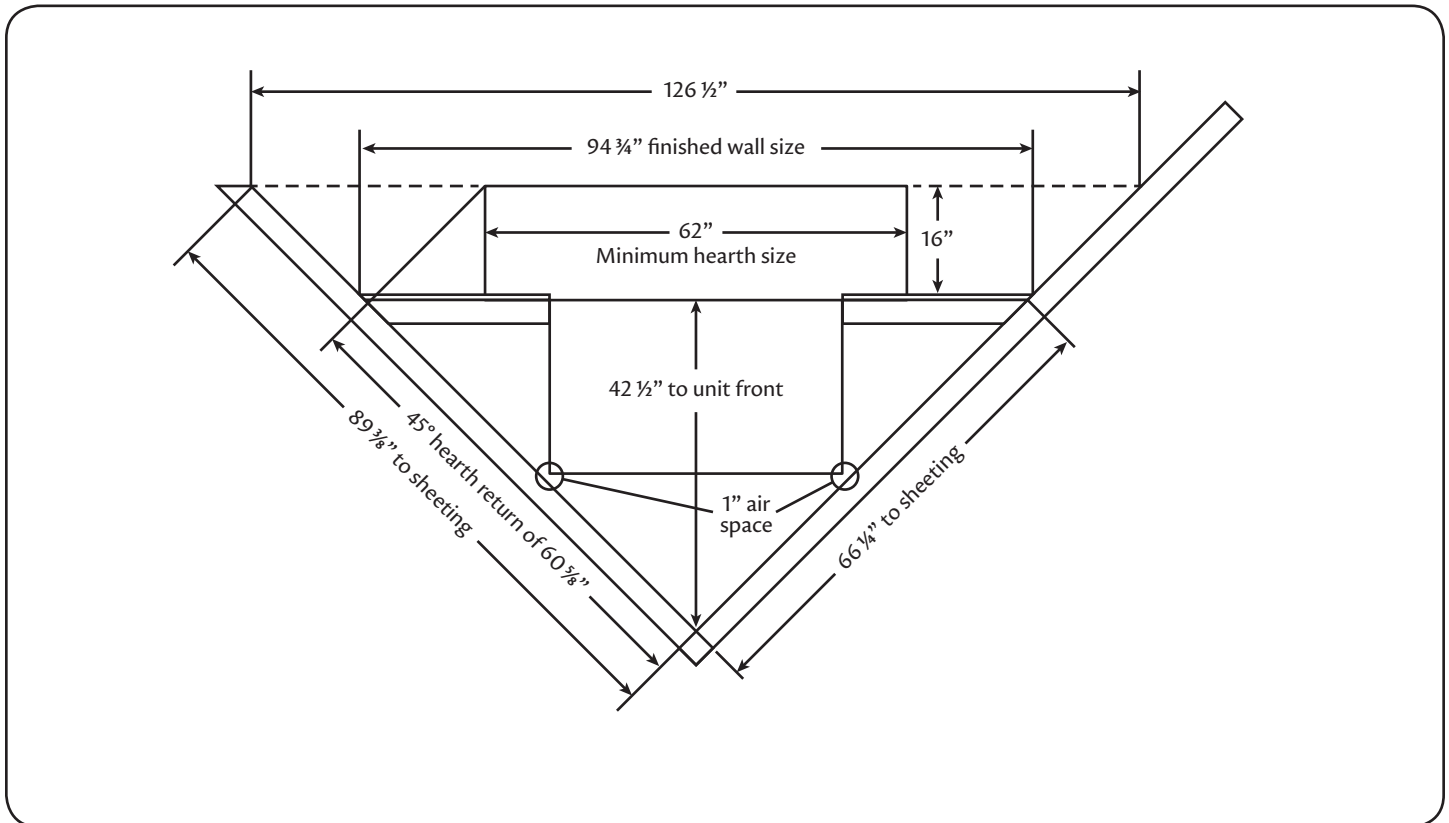
Top view chase framing



Clean face illustration



Baffle placement



Corner application

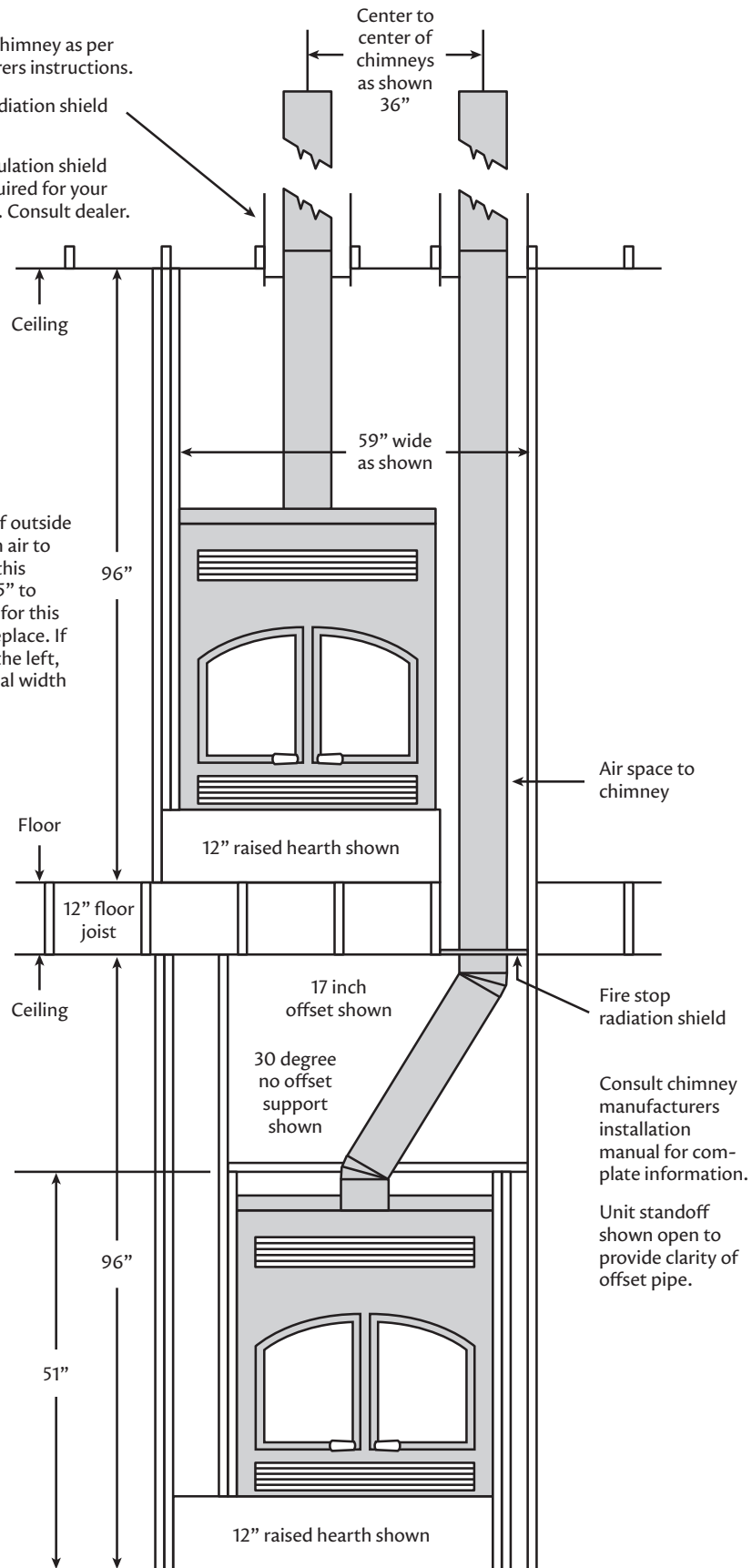
Complete chimney as per manufacturers instructions.

Fire stop radiation shield shown.

An attic insulation shield may be required for your installation. Consult dealer.

**NOTICE:**

If ducting of outside combustion air to the rear of this chase, add 5" to total width for this upstairs fireplace. If ducting to the left, no additional width is required.



Example of chimney placement when installing two fireplaces

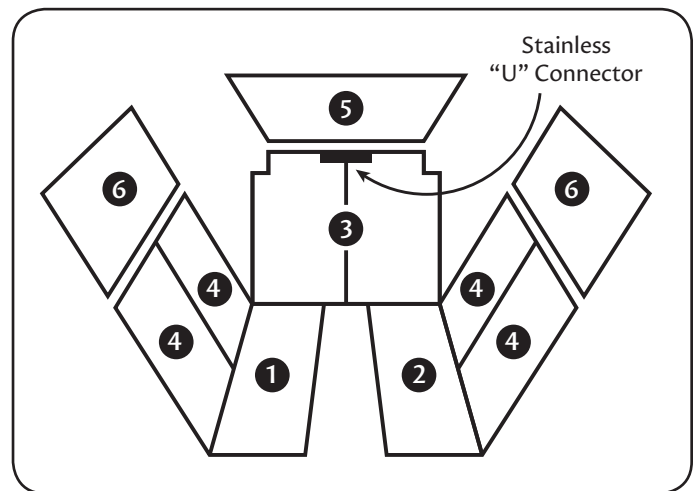
# Refractory Liner and Baffle Assembly

The GranView utilizes a super reflective inner lining of Skamol. These panels protect the metal surfaces and increase the operating temperature of the burning chamber.

The diagram below shows the placement of this liner and upper baffles. Care must be taken when handling these pieces as not to damage them. Do not operate this unit without all the baffles and inner liner in place as overheating of the chimney connector and fireplace components may occur.

Once in place, the liner is supported by brackets. If a hair line crack occurs in the liner and it remains in place, it does not have to be replaced. Replacement of a refractory is necessary if it becomes damaged to the point of falling loose or has gaps between pieces.

Install the steel baffle with holes notched into it in the upper throat of the fireplace. This baffle is placed on the metal tabs which extend into the upper area, above the secondary combustion air tubes. To install the refractory liner and baffle assembly, install the two upper side refractory panes above the side air tube first (part #6) then place the two bottom refractory pieces (part #1 & 2) in place. Position the two piece back panel in place (part #3) using the “U” shaped stainless steel clip to connect them on the top center edge. Place the four side pieces in place (part #4) start by sliding the front ones in position before each back one. Place the refractory panel (part #5) over the top edge of the air tubes and slip into place allowing it to rest on the top edge of the back panel. Position the 2 piece refractory top baffle plate in place on top of the dual stainless steel air tubes. See the diagrams on page 14 for placement of the refractory and baffle assemblies.



*Refractory Liner Placement*

## Painted and Plated Surfaces

This appliance is painted with a 1200 degree high heat paint. This paint is an open cell material that allows for heating and cooling without cracking or chipping. During the first several fires this paint will cure, giving off an odor with some visible smoke.

Due to the open cell nature of this paint, moisture can impregnate the surface causing rust to form. If this occurs, lightly sand the surface and repaint with Stove Bright Satin Black paint (#1990) available from your dealer.

Plated surfaces require no polishing to retain their luster. If a plated surface is polished it may remove the plating, exposing the base materials below. To maintain plated surfaces simply wipe them with a damp, soft, cotton cloth.

Remove all plated finish items and store them in a safe location during installation to ensure that they do not become damaged. Sheet rock compound will discolor any plated surfaces.



# Installation of the GranView

---

1. Select the appropriate location for the fireplace, see page 5.
2. If a raised hearth is used, build the platform for the unit to rest on and frame the structure/chase; cutting or creating the openings required for air supply, chimney routing, heat dump kit and the top venting option if needed. See pages 5-9. If insulation is needed in the chase, do so now. Sheet rock must cover any insulated walls to prevent sagging and contact with the fireplace unit.
3. Install the outside air assembly into the chase, see page 7.
4. Move the fireplace into place and connect the outside air supply to the unit. See page 7.
5. Install the chimney using the chimney manufacturers recommended practices and components. See page 6 and the instructions enclosed with the chimney.
6. Install top vent kit and or clean face components if applicable, see pages 9-10.
7. Remove the lower grill which is magnetically held in place. Route a power supply into the junction box of the fireplace for power for the on board blower. All connections and materials must conform to the National Electric Code. Power requirements are 110VAC with a 10 amp supply. If a blower is added to the installation do so now, see page 11 for the on board blower. Reinstall the lower grill.
8. Install the doors. See page 9.
9. Finish facing of the fireplace and hearth area. See page 10-11.
10. Install the upper baffle and refractory liner panels. See page diagrams on page 14 and 16.
11. Install the heat outlet louver, if used, which is magnetically held in place.
12. **Notice to installers: Save these instructions for future use.** These instructions include operation instructions, maintenance information and the customer's warranty. Leave this booklet inside of the unit for the consumer.

## Care and Maintenance

---

### Creosote Formation and the Need for Removal

When wood is burnt, it produces organic vapors and tar which combine with moisture that is expelled from the wood and forms a black deposit called creosote. The creosote forming vapors condense in the relatively cool flue liner of a slow burning fire. As a result, creosote residue accumulates on the flue lining. When ignited, creosote burns extremely hot. Excessive accumulation of creosote, if ignited, can cause over heating of the chimney, chase and fireplace structure. Overheating is a fire hazard. Creosote accumulation can be minimized by burning hot fires using only well-seasoned, air dried fuel. Any wood that sizzles in the fire will produce excessive creosote formation in the flue and should not be used.

Regular chimney maintenance combined with the proper burning techniques will prevent chimney fires. Keep the chimney area, cap and flue lining free of build-up. Do not allow more than 1/8 inch to accumulate between cleanings to avoid a chimney fire. Cleaning intervals will depend on individual use practices and your fuel. Do not use wood with more than 20% moisture content. Moisture meters are available through your dealer.

We recommend monthly inspection of the chimney system and cleaning if needed. At a minimum the chimney should be inspected at least twice during the heating season to determine if a buildup has occurred. This will allow you to learn how your burning style affects the formation of creosote in the flue. Have your chimney professionally cleaned. If you choose to maintain it yourself, remove the cap on top of the chimney and use a stiff plastic/poly brush. Metal brushes will damage the stainless steel chimney due to scratching of the inner surfaces. Prior to cleaning the chimney, remove the steel and refractory baffles located in the throat of the fireplace and the angled refractory above the fire chamber so any creosote that falls into the system during cleaning falls down to the base of the fireplace. Remove the creosote from the firebox prior to starting the next fire. Creosote left inside the fireplace will burn at an extremely high temperature and may damage the fireplace or chimney system.

## If You Have a Chimney Fire

---

If a chimney fire occurs, close the combustion air control by pushing it into the locked position. Verify that the doors are fully closed, summon the fire department, alert your family of the possible danger and evacuate the premises. A chimney fire is a serious condition that may result in loss of property and life.

Do not use the fireplace if you suspect that you have had a chimney fire until the entire system has been inspected by a certified sweep or others qualified in the area of chimney/fireplace safety.

## Ashes

---

Removal of ashes should be done when the fire is out and the ash is cold. A special ash bucket is available from your dealer to ease the ash removal process. Always empty ash into a metal container with a lid. Close the lid tight and set it on a non-combustible surface well away from any combustible material. Do not store ash in your home. Never use a cardboard box for ash removal.

**Disposal of ashes:** The closed container of ashes should be placed on a noncombustible surface or the ground, well away from combustible materials, pending final disposal. If ashes are disposed of by burial in soil or otherwise locally dispersed, they should be retained in the closed container until all cinders have thoroughly cooled. Hot coal in the ash can remain potentially dangerous several days after removal.

## Care of the Glass Panels

---

The glass used in this fireplace is a 1400 degree ceramic glass. If for some reason it ever breaks, replace it with a similar material as a regular glass or tempered glass cannot withstand the intense temperature that the fire creates. Contact your dealer or Wilkening Fireplace Co. for proper replacement parts. To replace the glass remove the screws from the outside perimeter of the glass frame, lift the U channels with gasket out and clean any fragments before reinstalling the new glass.

To clean the glass, use an ammonia based cleaner, locally available fireplace glass cleaners or Speedy White. Contact your dealer or Wilkening Fireplace Co. to obtain Speedy White glass cleaner. Take care not to apply the cleaner in a manner that it contacts painted areas or electroplated surfaces as discoloration may occur. Cleaner combined with the creosote will cause the gaskets to harden.

Use a soft cotton cloth or paper towel to remove the smoke/cleaner residue. Do not scrape the glass with razor blades or abrasive pads. This will damage the glass and may cause failure. Clean the glass only when the unit has cooled to room temperature.

## Heat Output

---

The GranView fireplace generates the greatest BTU output when smaller, split fuel is used. The unit is operating at peak performance when the flames burn clean and clear.

This is a single burn rate appliance. Never close the combustion air supply when the fire is burning. The fire requires air for combustion and closing the air supply will exhaust the fire and create a buildup of gasses in the combustion chamber.

## Front Clearance

---

Keep any combustible materials at least 3 feet away from the front of this fireplace. This includes furniture.

## Refueling

---

When adding fuel to the fire it is important to crack open the doors for 15 seconds to clear any smoke. For optimum performance always maintain a hot firebox temperature. This is achieved by maintaining a hot coal bed and not stacking or overloading the unit with fuel. Failure to do so can create a smoldering, smoky fire. Maintaining a hot firebox will minimize smoke on the glass and creosote in the chimney.

## Doors

---



**WARNING:** Fireplaces equipped with doors must be operated with BOTH doors fully open or fully closed. If the doors are partially open, gas and flame may be drawn out of the fireplace opening, creating risks of both fire and smoke damage. Doors may be cracked open on a cold start up or when refueling for up to 15 minutes.

---

**Door Options Available:** Black Rectangular Tudor (part #GVBRT), Black Rectangular Prairie Style Tudor (part #GVBRTTP), Black Arched Tudor (part #GVBAT), Nickel Rectangular Tudor (part #GVNRT), Nickel Arched Tudor (part #GVNAT) and Single Black Rectangular (part #GVBR).

# Back Smoking

---

To minimize smoke from entering the room when refueling, crack both doors open slowly at the same time and refuel.

Excessive amounts of fuel or wet fuel will also create the potential for back smoking when the door is open due to over capacity of burning fuel or low draft due to low firebox temperature.

Chimney blockage due to foreign objects (leaves, nest, etc.) or excessive creosote in the flue will minimize draft of the chimney and can be a cause of poor draw.

Lack of chimney height will also contribute to poor draw. The chimney must extend at least 2' taller than any roof or structure that is within 10' of it. When this unit is installed with offsets, it may also be necessary to compensate for the decrease in draw with additional chimney height.

Open both doors at the same time, slowly. This will minimize the vortex action created by the air flowing into the fireplace and will reduce the possibility of back smoking once the doors have been opened fully.

If the fireplace has been operating properly and all of a sudden starts to smoke, check that the chimney cap has not become plugged or that loose creosote has not fallen down the chimney and is obstructing the holes in the upper most baffle.

# Annual Inspections

---

Every fireplace should have an annual inspection before the first fire of the year to verify that all components are working properly and that the chimney is ready for use. We recommend contacting a Certified Chimney Sweep or your dealer for this yearly inspection even if you clean your own chimney during the year. This will assure you that there has not been any breakdown in components or blockages that could result in a fire. As trained professionals, they can fully assess your system.

# Starting the First Fire

---

## The First Fire

The first two fires should be small, short in duration (less than one hour) and not contain rapidly combustible material such as building scrap or siding. The first fire should be especially short as this will remove most of the moisture in the refractory liner and heat cure the gasket cement. The first several times of use will produce a slight odor or smoke as the painted surfaces are curing.

For this reason the room should be well ventilated during the initial fires. During the curing process, the glass may develop creosote stains as the fire is not hot enough for it to “self-clean”.

## Starting the Fire

To start a fire, open the combustion air supply by lifting up slightly on the spring handle on the lower left of the fireplace front. An internal spring will open the supply. Place 8-10 sheets of newspaper crumpled into balls in the center of the firebox. Lay two, small diameter, split logs on each side of the paper with the cut end facing you. Build the fire directly on

the base of the unit. Do not use a grate or andirons to elevate the fire. Place dry kindling on top of the paper and logs in a crisscross fashion, leaving room for air to flow between them. Light the paper and leave the door ajar for 8-10 minutes. This will induce a draft in the chimney and start the wood burning.

Place additional kindling on top of the burning matter and close the doors. Once this fuel load is about half consumed, add several pieces of cord wood up to 4" in diameter. Once the unit has been heated, larger cord wood can be added. For the cleanest burn and most active fire, it is recommended that the wood be placed in a crisscross fashion to allow air to enter under the fire.

Tightly stacked wood will result in slower fires and smoke on the glass panels.

## **Negative Pressure in the Home**

With the advent of tighter homes, it has become apparent that the lower levels of these homes will have a lower pressure level than the upper areas. This is caused by the "stack effect" of the house (the structure acts like a chimney). To overcome stack effect, close any windows in levels above the fireplace installation and open a window on the level the fireplace is installed. The best window to open is one that the wind is blowing toward. With no fire in the fireplace the chimney should still draw air from the room into it when the doors are opened. If air drops down the chimney and enters the home when the door is opened a negative pressure exists in the home. To overcome this when starting a fire, crumple several pieces of newspaper and place them in the firebox and light, closing the doors with the combustion air supply open. The heat of the fire will create draw in the chimney, which will help overcome the pressure difference between the room the fireplace is located in and the chimney



## CAUTION

- Never block the air circulation grills, either the inlet or outlet. This will create overheating of the structure and a possible fire hazard.
- Never use gasoline, gasoline type lantern fuel, kerosene, charcoal lighter fluid or similar liquids to start or “freshen up” a fire in this fireplace. Keep all such liquids well away from the fireplace while it is in use.
- Use only solid wood or processed solid fuel fire logs. Do not poke or stir the fire logs while they are burning. Use only fire logs that have been evaluated and listed for use in a fireplace. Refer to the fire log warnings and caution markings on the packaging prior to use. Do not burn coal.
- Contain the fire behind the internal log retainer. Accidental spillage of burning fuel may occur when the door is opened if fuel exists in front of the retainer.
- Never load the fireplace with cardboard, paper or rapidly combustible material. This will cause overheating of the steel structure and a possible fire hazard.
- Do not allow this unit to smolder or burn without flame. This will create excessive creosote formation which may lead to a chimney fire.
- Always have a fire extinguisher, rated for multi-purpose, readily available near the fireplace in case of a dangerous condition.
- Failure to use or install this fireplace as stated in this manual will void all warranties and may create a dangerous condition which may result in loss of property or life.
- Never plug the outside air supply. Unlike “normal” zero clearance fireplaces, the GranView fireplace cannot leak cold air into the home due to our totally sealed air connection and air tight doors on the unit.
- Never use this unit with broken or missing firebrick panels.
- Do not burn treated wood or wood that has been immersed in saltwater.
- Do not use a fireplace insert or other products not specified for use with this fireplace.
- It is recommended to install a smoke detector and CO detector in the room where the fireplace is located.
- If any part becomes damaged contact your dealer or Wilkening Fireplace Co. for an appropriate replacement. Do not replace any part with substitute materials.
- Warning: Do not slam the doors closed as damage to the glass panels and door frames and gaskets can occur. Cracked or broken glass must be replaced prior to use.
- Caution: Do not build the fire directly against the glass.
- Caution: This fireplace requires air to operate. Do not operate this appliance with the outside air supply closed as a buildup of gasses inside the fireplace may cause an explosion or excessive creosote buildup.
- Warning: **Do not over fire** this appliance. Damage to this appliance will occur which may cause a structure fire and result in a loss of life.

# Replacement Parts

	Description	Part Number
<b>Inner Liner Components (see diagram)</b>		
	Bottom	GV-01/GV-02
	2 piece back	GV-03
	4- Lower side panels (each)	GV-04
	Back Angle liner	GV-05
	Upper side liner (each)	GV-06
	Top Tube Refractory (2 pc.)	GV-07
		Door Gasket kit $\frac{7}{8}$ " braided gasket includes enough for entire door assembly
	Glass Panel for Rectangular Tudor	GVRCGTD
	Glass Panel for Arched Tudor	GVACGTD
	Glass Panel for Rectangular Single Door	GVRCGSD
	Removable Log Retainer	GVLR
	Door Handle Right	GVHANDR
	Door Handle Left	GVHANDL
	$\frac{5}{8}$ " flat gasket with adhesive to seal channel to	GV5/8WADH
	$\frac{3}{4}$ " flat gasket with adhesive to seal glass to door frame	GV3/4WADH

Wilkening Fireplace Co.  
Walker, Minnesota  
Visit our website at [wilkeningfireplace.com](http://wilkeningfireplace.com)