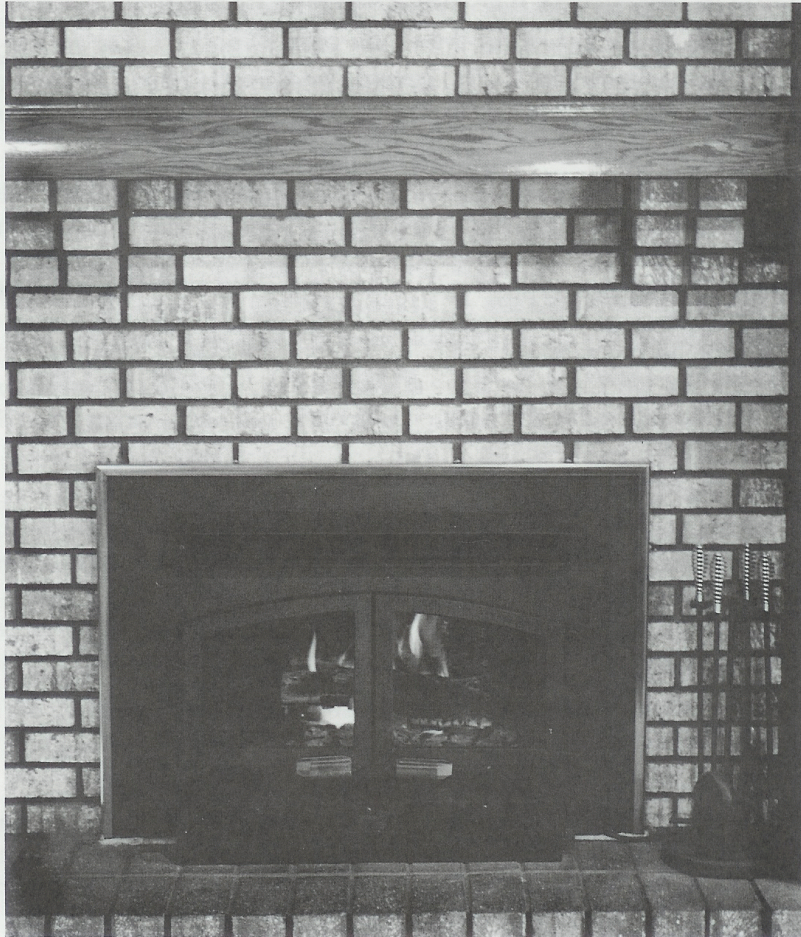


THE ULTRA GREAT

Air Tight Heat Exchanger



**Installation and Operation
Instructions**

SAVE For Future Reference

**INSTALLATION INSTRUCTIONS FOR
THE ULTRAGREAT HEAT EXCHANGER MODELS 4028 AND 4031**
MANUFACTURED BY: WILKENING FIREPLACE CO.
9608 STATE 371 NW, WALKER, MN 56484
(218) 547-3393

**SAFETY NOTICE: IF THIS HEAT EXCHANGER IS NOT PROPERLY
INSTALLED OR OPERATED, A HOUSE FIRE MAY RESULT.**

1. **Thoroughly read and understand these instructions before starting installation.** Save these instructions for future reference. Consult local building and or fire officials for any installation restrictions, required permits or required inspections.
2. **Thoroughly** inspect masonry fireplace and chimney structure to verify that it is built in accordance with NFPA 211 standards and local building codes. The fireplace masonry structure must be free from loose brick, cracks, creosote deposits, loose mortar and in good structural order. **All deficiencies must be repaired!!** The chimney must be in good working condition and conform to the standard for chimneys, fireplaces, vents and solid fuel appliances **NFPA 211** and all other mechanical codes. The minimum flue size must be 8" x 12" or 9" round. The use of a non conforming chimney or fireplace structure could create a **FIRE HAZARD** with loss of personal property and death!
3. The Minimum hearth, where the fireplace opening is 6 sq. ft. or less, shall extend at least 16" in front of the facing material and at least 8" beyond the side of the opening. Where the fireplace opening is 6 sq. ft. or greater, the hearth shall extend out 20" in front of the opening and at least 12" to each side of the opening. Floor level hearths shall not extend less than 18" in front of the opening. The hearth material must not be less than 1" thick non combustible material.
4. **Verify** the fireplace opening size, making sure that proper unit size has been selected and that the proper minimum spaces to a combustible mantle and to any combustible side trim is maintained. See diagrams on page 4.
5. **Permanently lock and secure chimney damper in the open position.** This may be done with a metal strap and bolting. Failure to do so may allow damper to accidentally close. This will result in smoke spillage into the home and property damage.
6. When not in use a closeable top sealing chimney damper is recommended. Install in accordance with manufacturer's instructions. Furnish these instructions to the home owner/operator.

7. Remove doors to ease installation. Slide accessory unit into the center of the masonry opening and level. Adjust the back leveling legs if necessary using a 9/16" wrench. Mark the holes for the bottom mount on the fire brick base. If masonry is irregular, fill any voids and low spots with masonry cement to a smooth surface that is the size of the faceplate. Failure to do so will allow air to seep around or smoke to seep back out around the faceplate. Leakage of air around the opening may cause excessive burning rates which will develop excessive temperatures.

8. Slide accessory back out and drill both bottom mount holes, using a 1/2" masonry bit. Install lead plugs into holes.

9. Place fiberglass gasket on the sides and across the top behind the face plate. Slide accessory unit into opening and secure lag bolts with a 7/16" wrench.

10. Slide the top mount over the threaded rod and tighten with a 1/2" wrench. **Verify** the integrity of the seal at masonry front from the interior, recaulk if necessary.

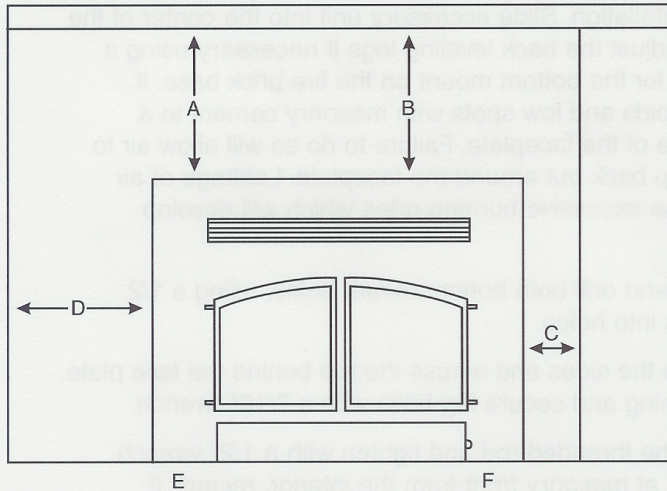
11. Set the doors in place.

12. Insert power cord plug into owners outlet and turn on the fan to verify that this electrical circuit is working. This fan has a thermostat that shuts off power to the fan when the unit temperature is lower than 90° F. There is a thermostat override located above the rheostat on the right side. When the rocker switch is turned back the thermostat is overridden. Forward allows thermostat control. **A 15 amp 115 volt ac 60 hz grounded circuit is required.** Consult a licensed electrical contractor if this outlet is not properly grounded. **Danger** of electrical shocks or death may occur if not using the proper outlet.

13. The fan motor is permanently lubricated at the factory and requires no further lubrication.

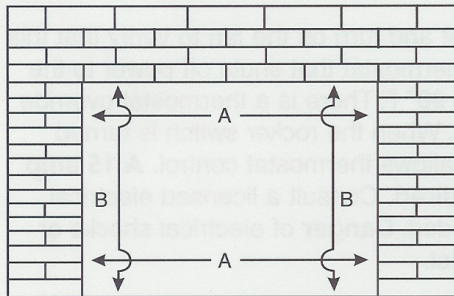
14. **THERE ARE NO USER SERVICEABLE PARTS ENCLOSED IN FAN ASSEMBLY HOUSING. ALL SERVICE MUST BE PERFORMED ONLY BY QUALIFIED SERVICE PERSONNEL. CONSULT YOUR DEALER.**

15. **Save** these installation instructions for future reference.



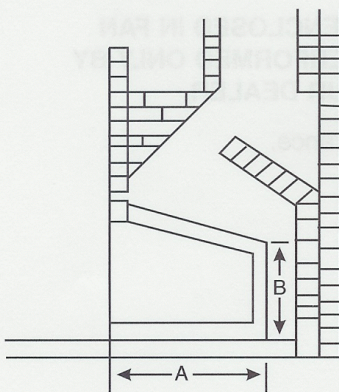
clearance to combustible		
	model 4028	model 4031
A	to wood mantle 18"*	18"*
B	to top face trim 18"*	18"*
C	to side trim 6"	6"
D	to side wall 16"	16"
E	raised hearth extension 16"	16"
F	floor level hearth ext. 18"	18"

* A 1/2" air space to combustible is required when at 18" for clearance.



Required fireplace opening size		
	model 4028	model 4031
A - minimum	28-1/2"	28-1/2"
A - maximum	38"	38"
B - minimum	23-1/2"*	27"*
B - maximum	27"	30"

*at minimum height dimension given is shown as a snug fit!!!



	model 4028	model 4031
dimension A depth into fireplace	18"	18"
dimension B height to back	17"	20"
width at back	24"	24"

**OPERATING INSTRUCTIONS FOR
THE ULTRAGREAT HEAT EXCHANGER MODELS 4028 AND 4031**

MANUFACTURED BY: WILKENING FIREPLACE CO.

9608 STATE 371 NW, WALKER, MN 56484

(218) 547-3393

1. READ AND UNDERSTAND ALL OPERATING INSTRUCTIONS BEFORE LIGHTING THE FIRST FIRE!!

It is very important to clean the chimney before the heating season begins. This chimney should be inspected monthly during the heating season for creosote deposition, clean as required. Burn only seasoned natural wood. Non-seasoned wood will result in more creosote deposits and less heat than seasoned wood.

2. CREOSOTE: formation and need for removal. When wood is burned slowly, it produces tar and other organic vapors, which combine with expelled moisture to form creosote. The creosote vapors condense in the relatively cool chimney flue of a slow burning fire. As a result, creosote residue accumulates on the flue lining. When ignited, this creosote makes an extremely hot fire. Inspect this chimney every month during the heating season. If creosote has accumulated, it should be removed to reduce the risk of a chimney fire.

3. Things to remember in case of a chimney fire. 1. Shut off fan and keep doors closed. 2. CALL the fire department. 3. Prepare to leave the house.

4. DISPOSAL OF ASHES: Ashes must be placed in a metal container with a tight fitting lid. This closed container of ashes must be placed on a noncombustible floor or on the ground, well away from all combustible materials, pending final disposal. If these ashes are disposed of by burial in soil or otherwise locally dispersed, they should be retained in this closed container until all cinders have thoroughly cooled.

5. NEVER use gasoline, gasoline-type lantern fuel, kerosene, charcoal lighter fluid, or similar liquids to start or to freshen up a fire. Keep all such liquids well away from the fireplace accessory while it is in use. Do not store fuel wood near fireplace accessory.

6. Use no grates or andirons to support wood. Burn the wood directly on the bottom of the unit. Never allow the ashes to build over 2 inches deep.

7. NO lubrication of any moving parts is required. The fan motor is permanently lubricated at the factory. **THERE ARE NO USER SERVICEABLE PARTS ENCLOSED IN FAN ASSEMBLY HOUSING. ALL SERVICE MUST BE PERFORMED ONLY BY QUALIFIED SERVICE PERSONNEL. CONSULT YOUR DEALER.**

8. A 15 amp 115 volt ac 60 hz. grounded electrical circuit is required for this accessory. Consult a licensed electrical contractor if this outlet is not properly grounded or is of a different voltage than listed. **DANGER** electrical shocks or death may occur if not using the proper grounded outlet of the correct voltage.

9. Route the power supply cord maintaining a 2 inch minimum distance away from the metal faceplate of the accessory. All routing of power supply must be in a manner in which people will not interfere with or trip over the power supply cord. Do Not hook to

any extension cord. The fan switch position is off, wide open to lowest fan speed, a clockwise rotation of fan switch decreases the fan speed. The lowest fan speed is factory set, DO NOT attempt adjustment.

10. Open closeable chimney top damper before attempting to start a fire.

11. This accessory is designed for use with the doors closed ONLY.

12. Consult listing label for any additional warnings or instructions.

13. This unit is intended to use SOLID WOOD THAT IS PROPERLY SEASONED ONLY! DO NOT USE EXCESSIVE AMOUNTS OF KINDLING WOOD. NEVER USE ANY TREATED WOOD OR COMPRESSED FIREPLACE LOGS. NEVER BURN EXCESSIVE AMOUNTS OF NEWSPAPER OR RAPIDLY FLAMMABLE CARDBOARD. DO NOT USE TO BURN PLASTIC OR ANY FORMS OF GARBAGE.

14. To start the fire crumble up into a ball 2 or 3 pieces of newspaper, placing a small amount of kindling wood upon. Stack several small pieces of fuel wood on this and ignite. Do Not nest wood tight as this will restrict combustion. Leave the doors open slightly (1/2 inch) for several minutes. Place several more pieces of split fuel upon the fire, closing the door. Turn the fan on to wide open. This will give you the maximum burning rate and the most heat output. Turning the fan speed control knob will give you the desired level of heat output and burn rate time. Turning this knob clockwise decreases the fan speed. The fan is thermostatically controlled. To override this thermostat and make the fan run when the unit is cool, flip the rocker switch backward. Forward allows thermostat controlled operation.

15. The ceramic glass panel will withstand all of the heat output of this accessory. These glass panels can be easily cleaned with an ammonia based glass cleaner. Never use any sharp tool to scrape glass. Non-seasoned wood will result in a greater buildup of smoke residue than seasoned wood. In the event that you break the ceramic glass panel by impact, consult your dealer for a replacement. Do not continue to use your fireplace accessory if the glass panel is broken. Never use a substitute glass. Consult your dealer for replacement.

16. OVER FIRING OF THIS FIREPLACE ACCESSORY MAY CAUSE A FIRE! NEVER FILL THIS UNIT FULL OF WOOD. IF ANY PARTS START TO SMELL HOT OR STARTS TO GLOW, TURN THE FAN TO THE OFF POSITION. DO NOT ADD ANY MORE WOOD, ALLOW THE UNIT TO COOL OFF NATURALLY. STAY CLOSE AT HAND TO SUMMON THE FIRE DEPARTMENT IF NECESSARY. GET YOUR FIRE EXTINGUISHER. IF THE HEAT RESISTANT PAINT ON THE FRONT STARTS TO DISCOLOR, YOU ARE OVERFIRING!! CONSULT YOUR DEALER TO INSPECT THIS BEFORE USING AGAIN. ALL EXPOSED METAL SURFACES ARE HOT. CONTACT WITH THESE MAY CAUSE BURNS AND PERSONAL INJURY.

17. Before operating this appliance, install or inspect smoke detectors and purchase a fire extinguisher. Keep the extinguisher close at hand for unexpected occurrences.

18. SAVE these operating instructions for future reference!!